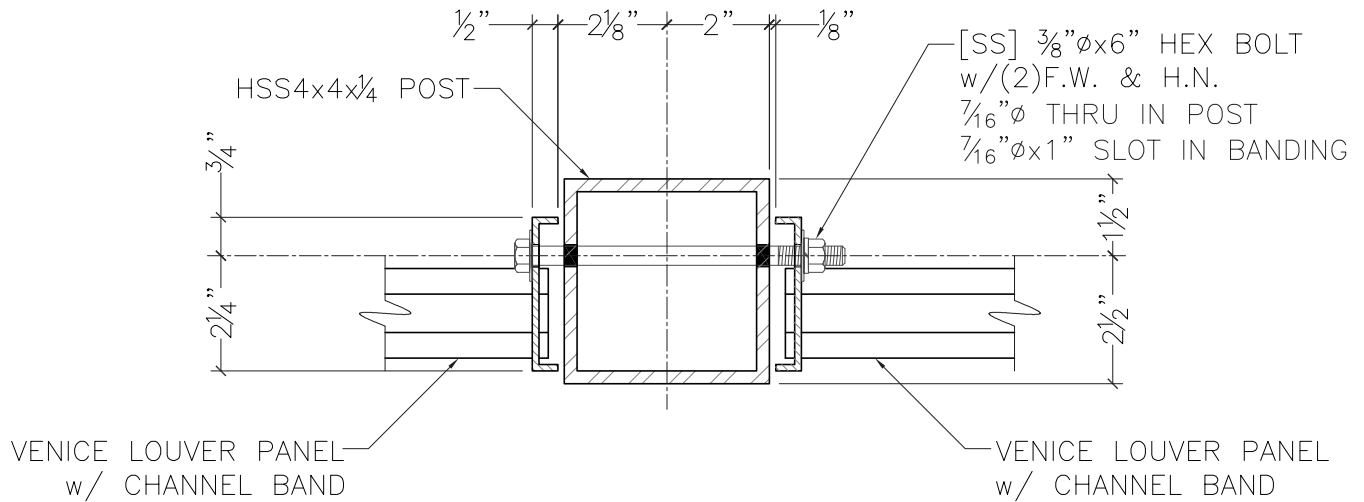
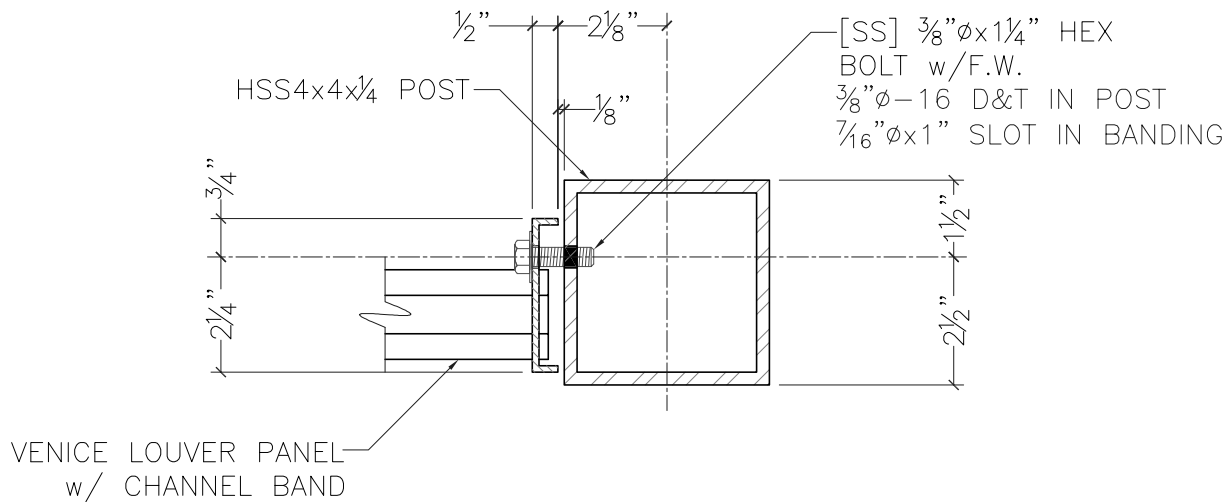


# "VENICE" STYLE LOUVER ~ CONNECTION DETAILS



TYPICAL SECTION @ LINE POST



TYPICAL SECTION @ END/CORNER POST

**NOMMA**  
NATIONAL ORNAMENTAL & MISCELLANEOUS METALS ASSOCIATION

**NAAMM**  
METAL

ALL MANUFACTURING AND  
FABRICATING TOLERANCES  
& ALL WELDING SPECS.  
ARE IN COMPLIANCE WITH  
CURRENT N.A.A.M.M. METAL  
BAR GRATING MANUALS.

THIS DRAWING & THE INFO CONTAINED WITHIN ARE THE  
PROPERTY OF BARNETT-BATES CORP. IT IS NOT TO BE  
DUPLICATED OR USED FOR ANY PURPOSE NOT RELATED  
TO PRODUCTS FABRICATED BY BARNETT-BATES CORP.

SPECIFY GENUINE:

**BARNETT BATES**

Barnett-Bates Corp.  
500 Mills Road  
Joliet, IL 60433-2795

WWW.BARNETTBATES.COM

Phone: (815) 726-5223  
Toll Free: (800) 541-3912  
Fax: (815) 726-9210

PATTERN:

**VENICE**  
**(CONNECTIONS)**