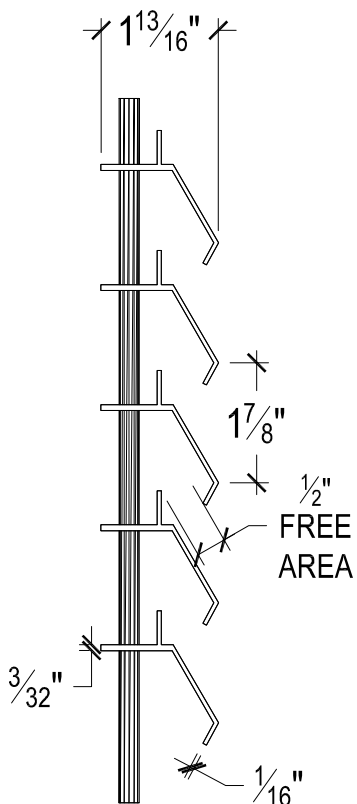
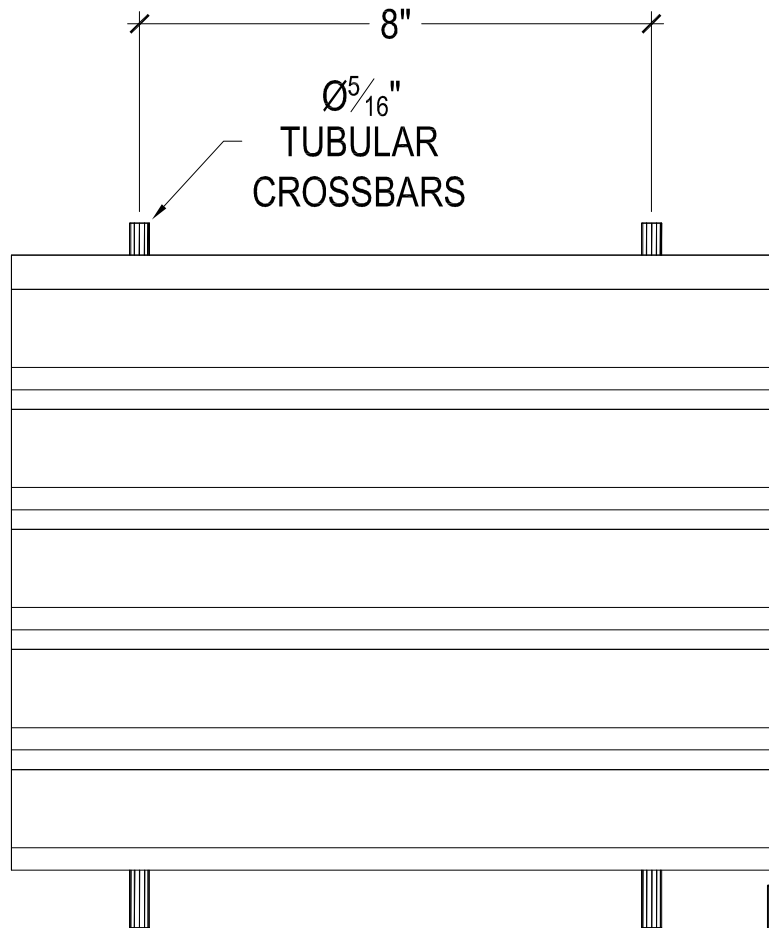
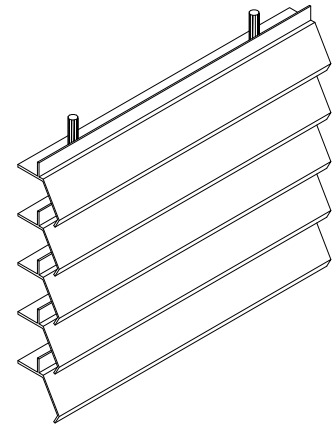
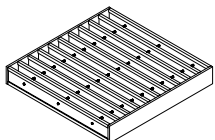


SPECIFY **BARNETT BATES** PATTERN: **STL-100**  
 GENUINE **BARNETT BATES** (ALUMINUM)  
 800-541-3912



FREE  
 AREA FOR  
 STL-100 =  
 24.3%



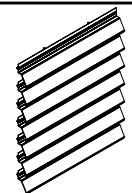
ALL TYPES  
 OF GRATING



Barnett Bates Corporation  
 500 Mills Road  
 Joliet, IL 60433-2795

WWW.BARNETT BATES.COM  
 email:sales@barnettbates.com

Toll Free: (800) 541-3912  
 Joliet: (815) 726-5223  
 Fax: (815) 726-9210



ARCHITECTURAL  
 FENCING