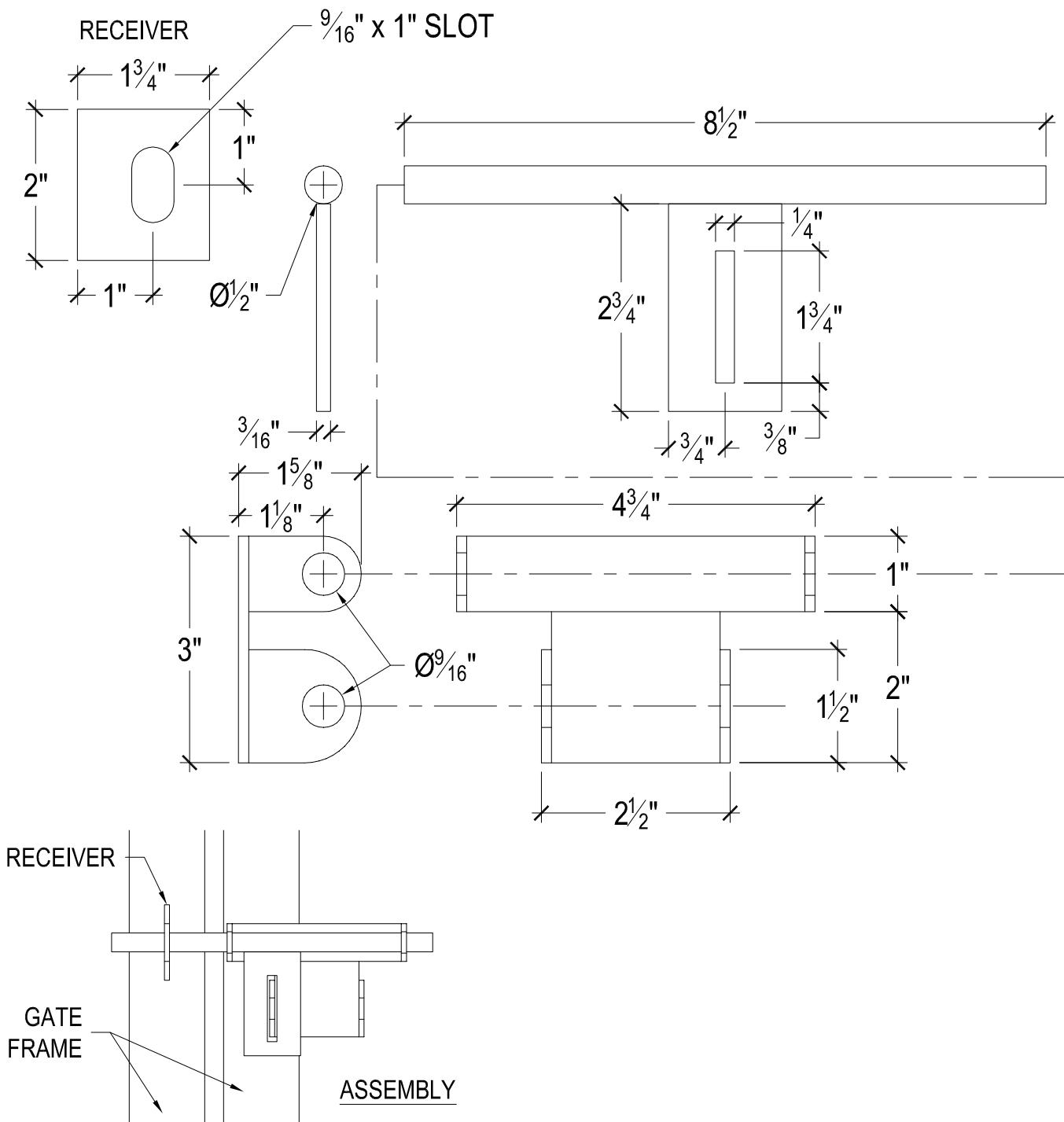
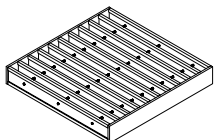


# BOLT LOCKABLE SLIDE HASP



ALL PIECES STAINLESS STEEL-FLAT COMPONENTS ARE 10 ga. (U.N.O.)



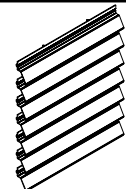
ALL TYPES  
OF GRATING

# BARNETT BATES

Barnett Bates Corporation  
500 Mills Road  
Joliet, IL 60433-2795

[WWW.BARNETTBATES.COM](http://WWW.BARNETTBATES.COM)

Toll Free: (800) 541-3912  
Joliet: (815) 726-5223  
Fax: (815) 726-9210



ARCHITECTURAL  
FENCING